

Agitation and ignition device El Presentiment - Version 666.0 USER GUIDE

- 1.- Download and print (best at the workplace if you are of those who have that bad habit).
- 2.- Declaim aloud in the nearest public place (in Ulan Bator they call this aerobic exercise #TakeTheFloor).
- 3.- Turn around the sheet (with this complicated manouvre you will get a #BlankSheetOfPaper).
- 4.- Write one by one the name of your ancestors together with five brands of anchovies.
- 5.- Try to think.
- 6.- The ink of El Presentiment contains igniscent substances, make a ball of paper and stick it under the car of your favorite prime minister, you can wait eating popcorn for it to take off.
- 7.- Keep on trying to think.
- 8.- Burn a randomly chosen issue of El Presentiment in the reception sofa of a public building or in the house of a friend who is member of some political party or trade union (repeat this operation so many times as you think necessary to put out your #InnerFire and all the #FreeHate you may feel)
- 9.- Keep trying to think defiantly in front of a mirror until you shriek in horror before the vision of your own SELF (that was called by the aztecs the #BattleOfThought).
- 10.- Cover your head with balls of paper made with Presentiments. Now you can leap into the void from any window chasing a paper plane made for the occasion with an illustrated issue of El Presentiment (if you are able to levitate you have #InterruptedThePresentMoment).
- 11.- Wave to the assisting audience, talk show guests and journalists and other clappers during your fall, improve your posture for the camaras (it's what is commonly understood as #TakeAStand).
- 12.- Send El Presentiment via postal mail to ten unknown people or the White Heron from the Belgian Congo will become extinct (first Phase of the #Commitment).
- 13.- Wave an issue of El Presentiment through the window of a car at top speed while you shout "The market is my shepherd, I lack nothing" and go to the nearest drugstore to buy some antidepressant or toothpaste (they say that this will bring you nearer the #GlobalMobilizationOfLifeByTheObvious).
- 14.- Try again to think until your head hurts, your ears peel off or start seeing flies intertwining their legs making a hazy spider web that will unable you to look directly to the Sun (some years ago this exquisite insectivore phenomena was called #NightPolitics).
- 15.- El Presentiment has #Truthfulness, a potent computer virus inserted in its source code, the day we get 1,000,000 suscriptors, the latent virus will activate and will disconnect the internet, at that moment all the automatic cash machines will spit out #FreeMoney and the german treasury bonds will go to the hands of the 9,999,999 poorest families of the world (that is to make clear that its not about #Gesticulation, but #RadicalGesture).
- 16.- If you carry out all these steps with religious fidelity you will be nearer sensing you have a Premonition (you will be ready to step up to the superior phase: the #Organization).

I have the premonition that El Presentiment helps to have premonitions

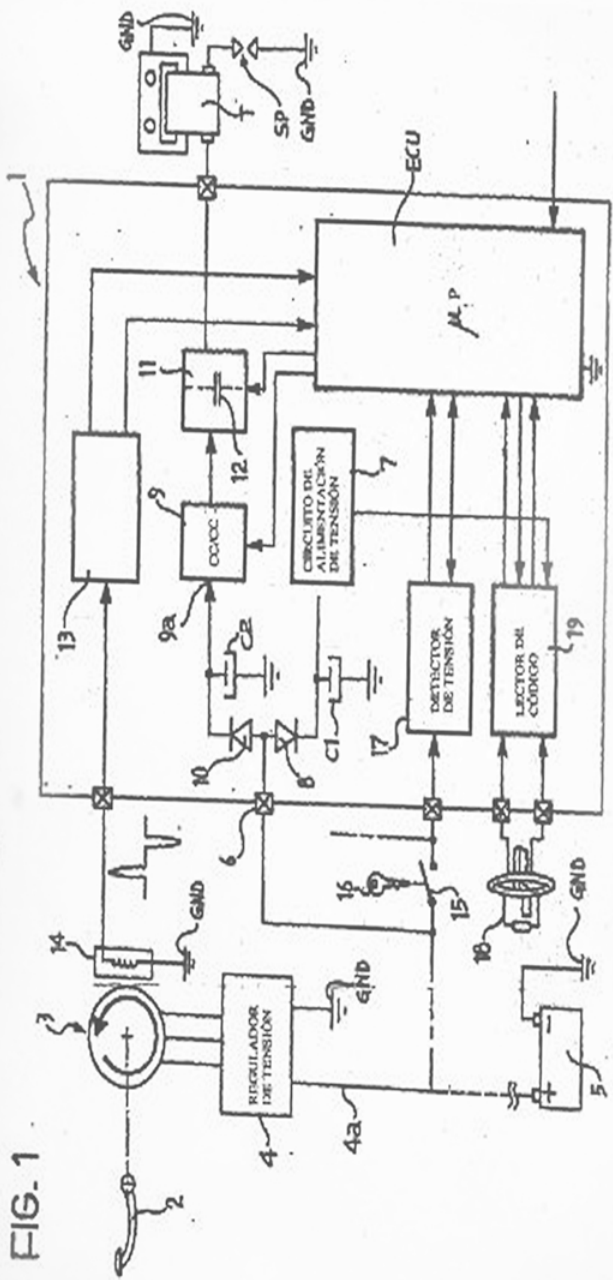


FIG. 1